

# INNOVA S

## Shut-off Double Seat Valve



### APPLICATION

The INNOVA S-type valve is a pneumatic shut-off double seat valve for hygienic applications. The leakage chamber, under atmospheric pressure, situated between the two seats ensures a safe interface between the two liquids, one of which is usually a CIP solution (cleaning agent). The leakage chamber is cleaned via the CIP nozzle situated in the lantern.

### DESIGN AND FEATURES

- Hygienic design according to EHEDG.
- No leakage during the opening/closing of the valve.
- Balanced lower seat.
- Single-acting pneumatic actuator.
- Easy assembly/disassembly of internal parts.
- Open lantern allows visual inspection of shaft sealing.
- 360° adjustable body.

### TECHNICAL SPECIFICATIONS

#### Materials

Parts in contact with the product	1.4404 (AISI 316L)
Other stainless steel parts	1.4301 (AISI 304)
Gasket in contact with the product	EPDM

#### Surface finish

Internal	Bright polish $Ra \leq 0,8 \mu m$
External	Matt

#### Available sizes

DIN EN 10357 serie A (previously DIN 11850 series 2)	DN 40 - DN 100
ASTM A269/270 (corresponds to OD pipe)	OD 1½" - OD 4"

## Connections

Weld

## Operating limits

Temperature range	-10°C to 121°C
SIP Temperature	140°C (max. 30 min)
Maximum working pressure	1000 kPa (10 bar)
Minimum working pressure	Vacuum
Compressed air pressure	6 - 8 bar

## OPTIONS

Gaskets: FPM, HNBR.

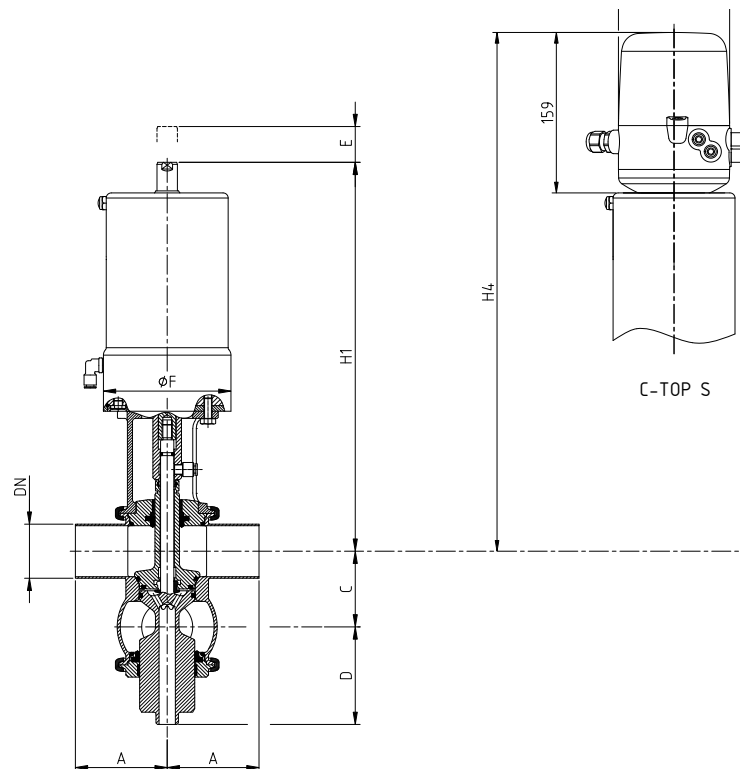
Other connection types.

C-TOP S control unit.

External position sensors.

Internal surface finish:  $Ra \leq 0,5 \mu m$ .

## DIMENSIONS

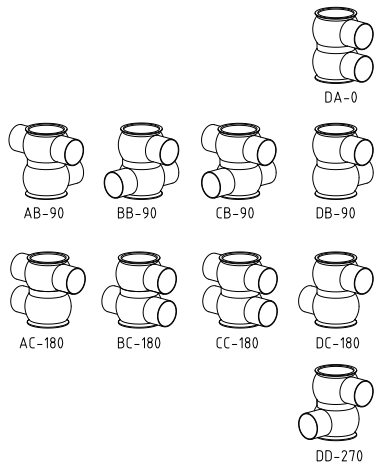


10.251.32.0041

	DN	Pipe	A	C	D	E	ØF	H1	H4	kg <sup>1</sup>
DIN	40	41,0 x 1,50	85	62	90	24	125	375	504	13
	50	53,0 x 1,50	90	74	96	24	125	381	510	15
	65	70,0 x 2,00	110	92	122	30	161	469	598	27
	80	85,0 x 2,00	125	107	129	30	161	477	605	30
	100	104 x 2,00	150	127	159	45	193	521	650	45
OD	1½"	38,1 x 1,65	85	59	91	24	125	377	505	13
	2"	50,8 x 1,65	90	72	97	24	125	382	511	15
	2½"	63,5 x 1,65	110	86	125	30	161	472	601	27
	3"	76,2 x 1,65	125	99	133	30	161	481	609	30
	4"	101,6 x 2,11	150	124	160	45	193	523	651	45

1) The weights correspond to the CB-90 housing combination

## HOUSING COMBINATIONS



10.250.32.0049